

Buckhunter In Line Rifle - Black Composite Stock -

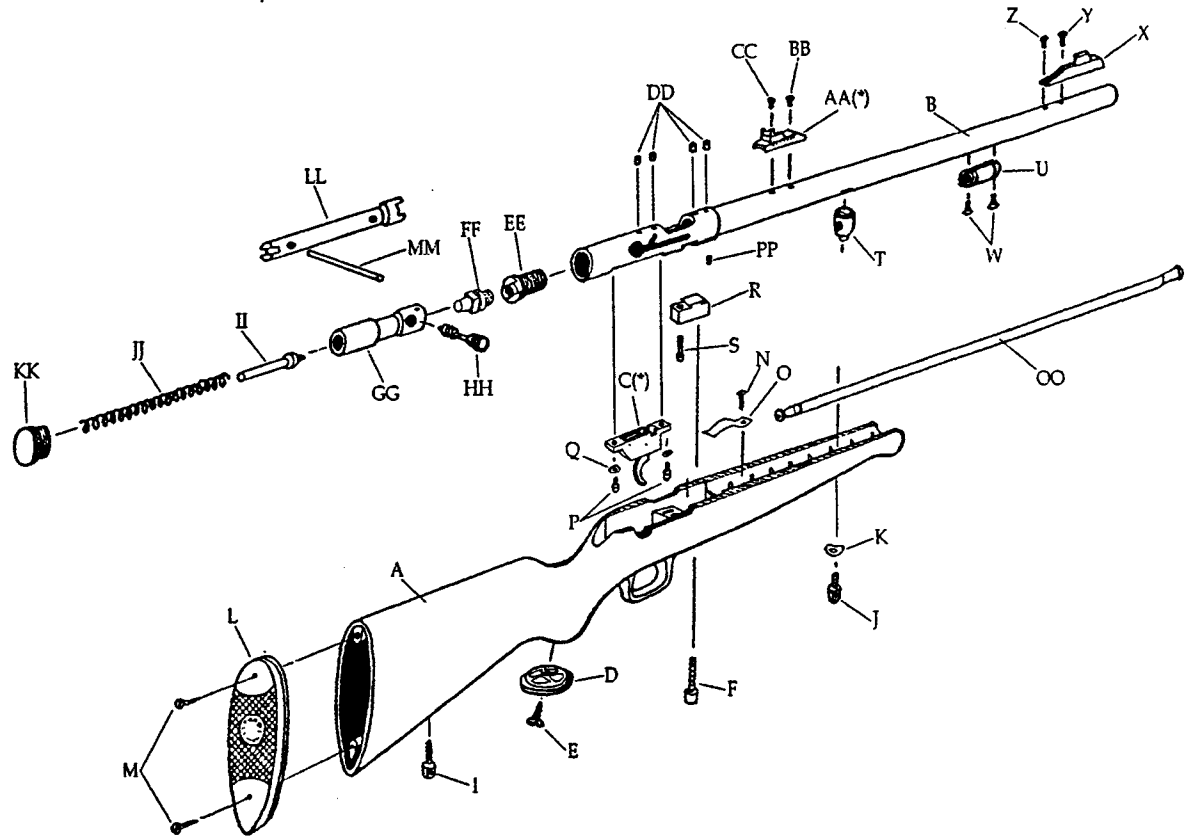
Models:

R-42102

.50 cal. perc. 1-32"
Blued Barrel

R-42148

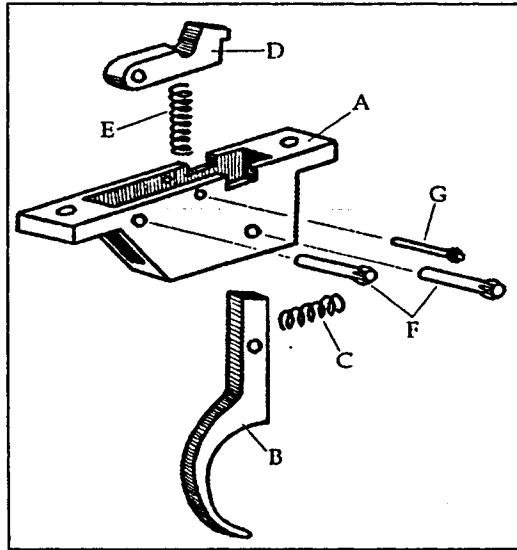
.54 cal. perc. 1-48"
Blued Barrel



Description	Reference	Description	Reference
A Stock (Black Composite) (kit).....	K-52101	S Bedding Block Screw (Allen head).....	400035
Stock (Black Composite) (Finished).....	FC552101	T Barrel Tenon.....	400023
B Barrel Assembly (Kit) (Length 24")		U Ramrod Thimble.....	400032-P
.50 cal. perc. (twist 1-32").....	C-400020	W Ramrod Thimble Screw (2).....	400031
.54 cal. perc. (twist 1-48").....	C-400048	X Front Sight.....	50611
Barrel Assembly Blued (Finished) (Length 24")		Y Front Sight Mounting Screw (Front).....	50620
.50 cal. perc. (twist 1-32").....	FB421020-S	Z Front Sight Mounting Screw (Rear).....	50621
.54 cal. perc. (twist 1-48").....	FB421048-S	AA Rear Sight.....	50610
C Trigger Assembly.....	400022	BB Rear Sight Mounting Screw (Front).....	50622
D Pistol Grip Cap.....	50104	CC Rear Sight Mounting Screw (Rear).....	50622
E Pistol Grip Cap Screw.....	50105	DD Plug Screw (4).....	26029
F Action Mounting Screw (Allen Head).....	M400037	EE Breech Plug.....	600007
I Sling Swivel Stud-Rear.....	37013	FF Nipple Percussion Only.....	20608
J Sling Swivel Stud-Front.....	37022	GG Bolt.....	400002
K Sling Swivel Stud (Front) Washer.....	37023	HH Bolt Handle.....	410003
L Buttpad.....	60126	II Mainspring Guide.....	400004
M Buttpad Mounting Screw (2).....	20634	JJ Mainspring.....	400005
N Ramrod Retaining Spring Screw.....	400024	KK Receiver Cap.....	400009-P
O Ramrod Retaining Spring.....	400030	LL Wrench.....	600029
P Trigger Assembly Mount Screw (2).....	400016	MM Wrench Handle.....	400033
Q Lock Washers (2).....	400018	OO Ramrod Assembly (Blackened).....	36028N
R Bedding Block.....	400008-1	PP Barrel Locking Screw.....	400025

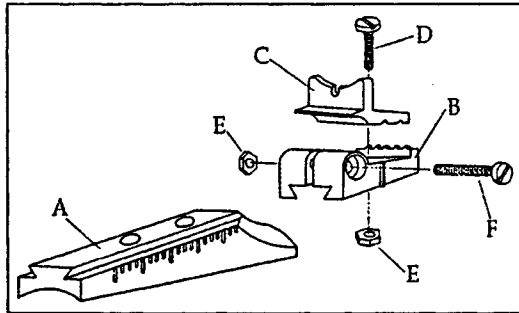
(*) Exploded view at the reverse.

TRADITIONS™
Trigger Assembly - Ref. 400022



	Description	Reference
A	Trigger Assembly Support.....	400010
B	Trigger.....	400012-S
C	Trigger Spring.....	400014
D	Sear.....	400011
E	Sear Spring.....	400013
F	Trigger Pin.....	400015
G	Sear Pin.....	400017

Rear Sight - Ref. 50610



	Description	Reference
A	Rear Sight Base (Round).....	50613
B	Elevator Base.....	50614
C	Rear Sighting Blade.....	50615
D	Windage Adjustment Locking Screw.....	50617
E	Hex. Nut (2).....	50618
F	Elevation Adjustment Locking Screw.....	50616